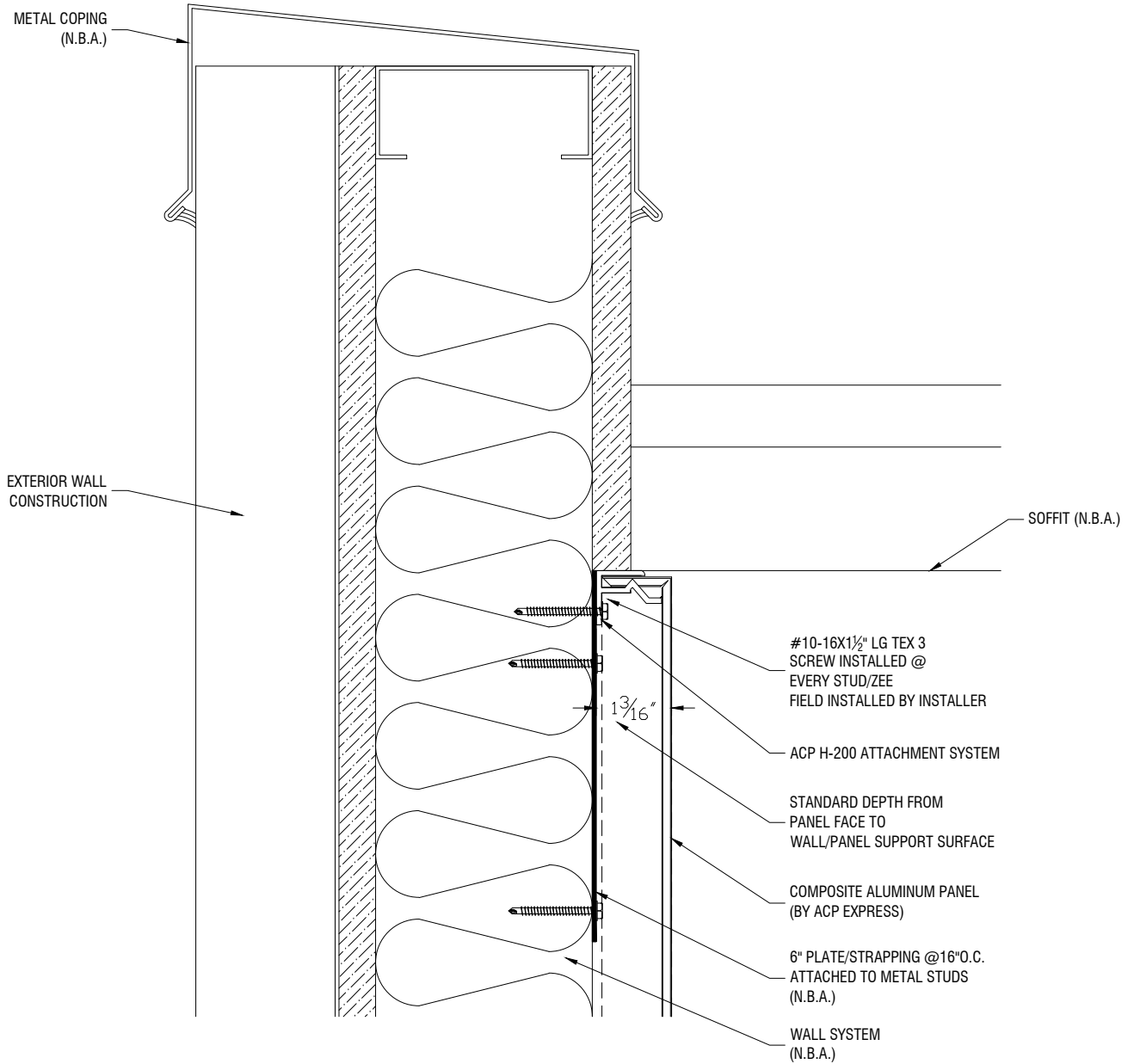


CONTRACTOR NOTE:  
 ALL WALLS ARE TO BE PLUMB  
 & LEVEL. INSTALLER TO USE  
 NECESSARY SHIMS IF WALLS  
 ARE NOT PLUMB OR LEVEL.  
 SHIMS (N.B.A.)



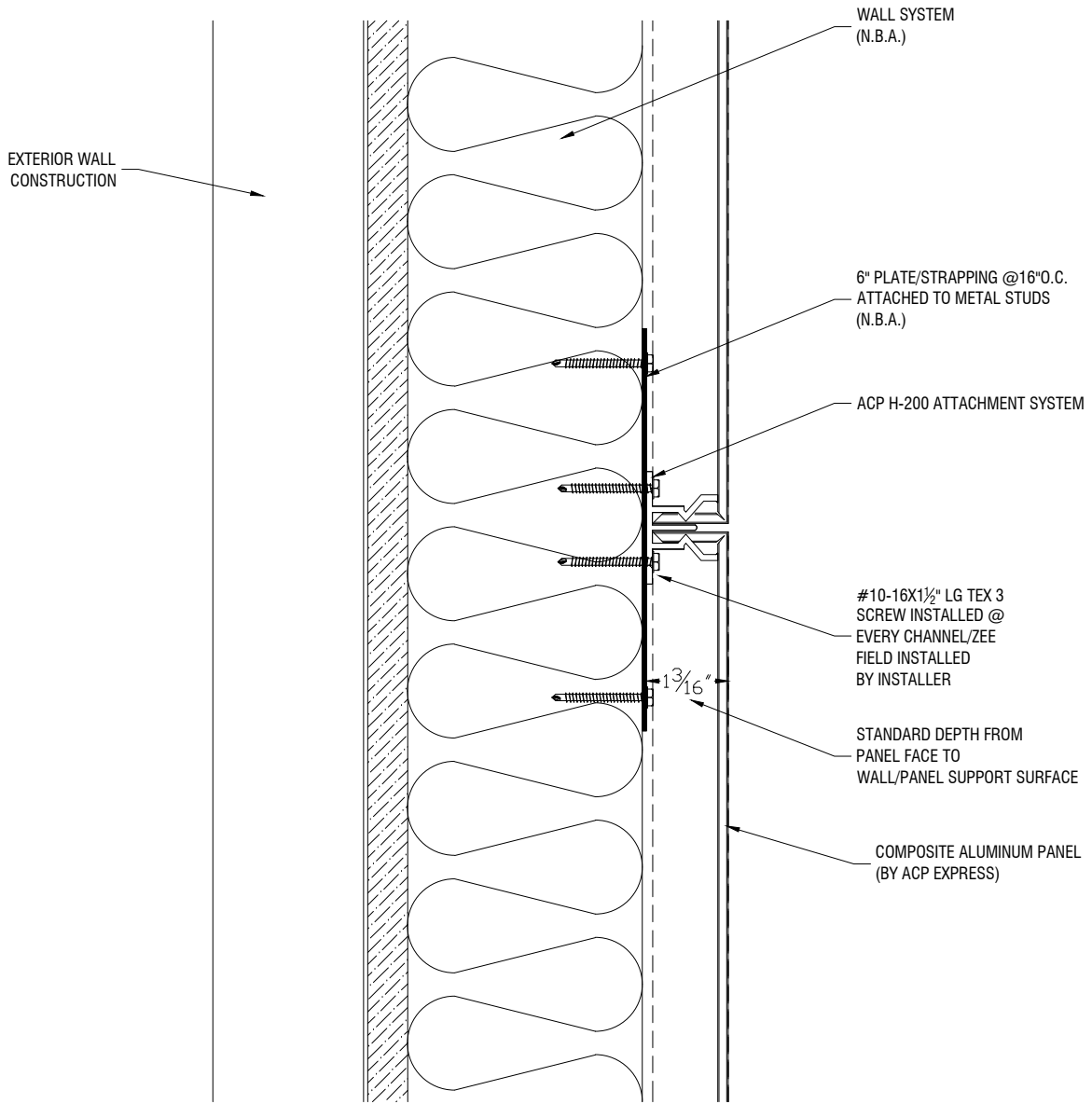
**1-Soffit Detail**



**ACP-H200 REMOVABLE PANEL  
 INTERIOR SYSTEM**

Confidential Document: Property of ACP EXPRESS METAL. Any transfer of this document without the express written permission of ACP EXPRESS METAL is unlawful. This document include: Originals, duplicates, and electronic versions. All are exclusive. Information contained herein or related hereto is intended only for evaluation by technically skilled persons, with any use thereof to be at their independent discretion and risk. Such information is believed to be reliable, but ACP EXPRESS Metal shall have no responsibility or liability for results obtained or damages resulting from such use. ACP EXPRESS Metal grants no license under, and shall have no responsibility or liability for infringement of, any patent proprietary right. Sales of ACP EXPRESS Metal products shall be independent and subject exclusively to warranties set forth in ACP EXPRESS Metal acknowledgment. The foregoing may be waived or modified only in writing by an ACP EXPRESS Metal officer.

CONTRACTOR NOTE:  
 ALL WALLS ARE TO BE PLUMB  
 & LEVEL. INSTALLER TO USE  
 NECESSARY SHIMS IF WALLS  
 ARE NOT PLUMB OR LEVEL.  
 SHIMS (N.B.A.)



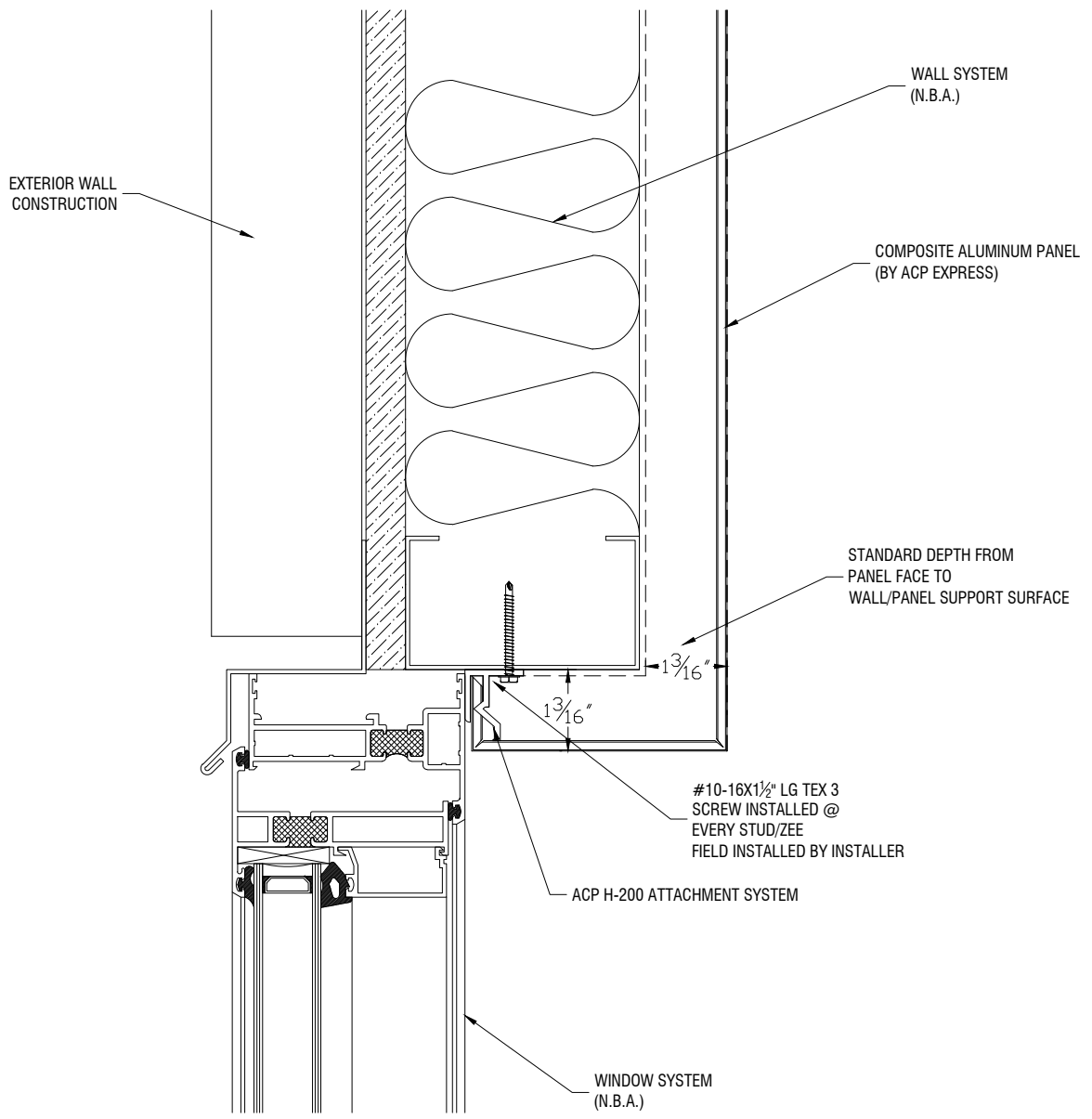
***2-Typical Joint Detail***



**ACP-H200 REMOVABLE PANEL  
 INTERIOR SYSTEM**

Confidential Document: Property of ACP EXPRESS METAL. Any transfer of this document without the express written permission of ACP EXPRESS METAL is unlawful. This document include: Originals, duplicates, and electronic versions. All are exclusive. Information contained herein or related hereto is intended only for evaluation by technically skilled persons, with any use thereof to be at their independent discretion and risk. Such information is believed to be reliable, but ACP EXPRESS Metal shall have no responsibility or liability for results obtained or damages resulting from such use. ACP EXPRESS Metal grants no license under, and shall have no responsibility or liability for infringement of, any patent proprietary right. Sales of ACP EXPRESS Metal products shall be independent and subject exclusively to warranties set forth in ACP EXPRESS Metal acknowledgment. The foregoing may be waived or modified only in writing by an ACP EXPRESS Metal officer.

CONTRACTOR NOTE:  
 ALL WALLS ARE TO BE PLUMB  
 & LEVEL. INSTALLER TO USE  
 NECESSARY SHIMS IF WALLS  
 ARE NOT PLUMB OR LEVEL.  
 SHIMS (N.B.A.)



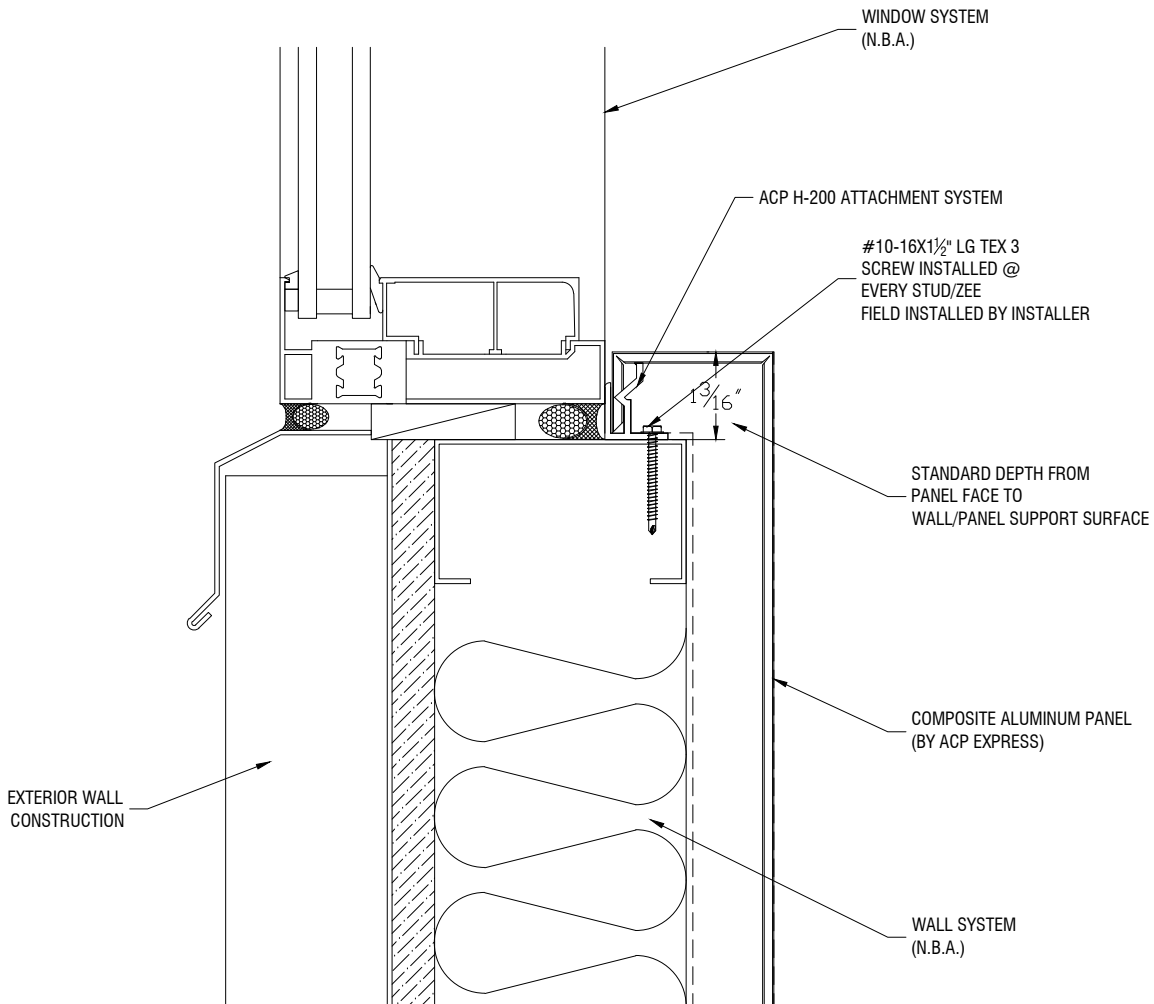
### 3-Window Head Detail



## ACP-H200 REMOVABLE PANEL INTERIOR SYSTEM

Confidential Document: Property of ACP EXPRESS METAL. Any transfer of this document without the express written permission of ACP EXPRESS METAL is unlawful. This document include: Originals, duplicates, and electronic versions. All are exclusive. Information contained herein or related hereto is intended only for evaluation by technically skilled persons, with any use thereof to be at their independent discretion and risk. Such information is believed to be reliable, but ACP EXPRESS Metal shall have no responsibility or liability for results obtained or damages resulting from such use. ACP EXPRESS Metal grants no license under, and shall have no responsibility or liability for infringement of, any patent proprietary right. Sales of ACP EXPRESS Metal products shall be independent and subject exclusively to warranties set forth in ACP EXPRESS Metal acknowledgment. The foregoing may be waived or modified only in writing by an ACP EXPRESS Metal officer.

CONTRACTOR NOTE:  
 ALL WALLS ARE TO BE PLUMB  
 & LEVEL. INSTALLER TO USE  
 NECESSARY SHIMS IF WALLS  
 ARE NOT PLUMB OR LEVEL.  
 SHIMS (N.B.A.)



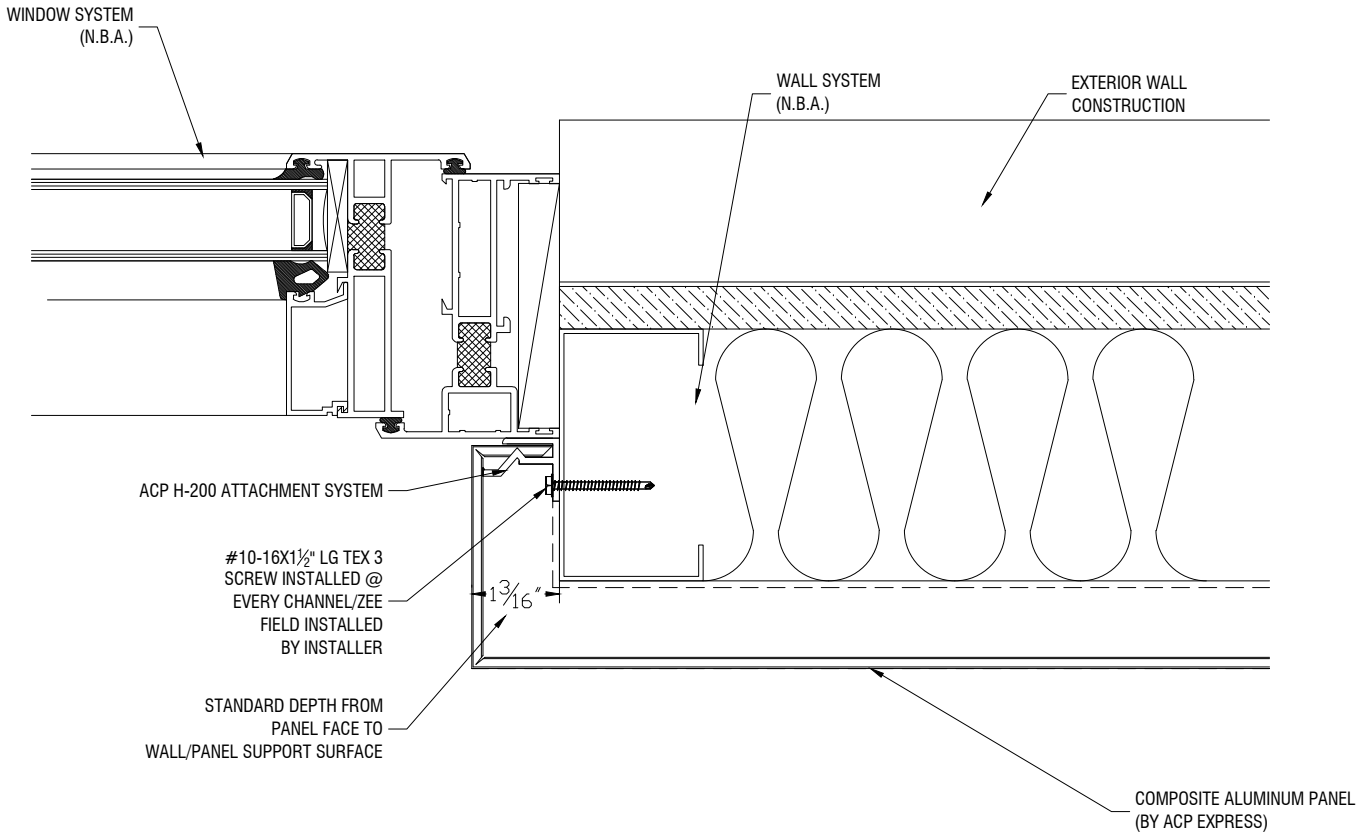
***4-Window Sill Detail***



**ACP-H200 REMOVABLE PANEL  
 INTERIOR SYSTEM**

Confidential Document: Property of ACP EXPRESS METAL. Any transfer of this document without the express written permission of ACP EXPRESS METAL is unlawful. This document include: Originals, duplicates, and electronic versions. All are exclusive. Information contained herein or related hereto is intended only for evaluation by technically skilled persons, with any use thereof to be at their independent discretion and risk. Such information is believed to be reliable, but ACP EXPRESS Metal shall have no responsibility or liability for results obtained or damages resulting from such use. ACP EXPRESS Metal grants no license under, and shall have no responsibility or liability for infringement of, any patent proprietary right. Sales of ACP EXPRESS Metal products shall be independent and subject exclusively to warranties set forth in ACP EXPRESS Metal acknowledgment. The foregoing may be waived or modified only in writing by an ACP EXPRESS Metal officer.

CONTRACTOR NOTE:  
 ALL WALLS ARE TO BE PLUMB  
 & LEVEL. INSTALLER TO USE  
 NECESSARY SHIMS IF WALLS  
 ARE NOT PLUMB OR LEVEL.  
 SHIMS (N.B.A.)



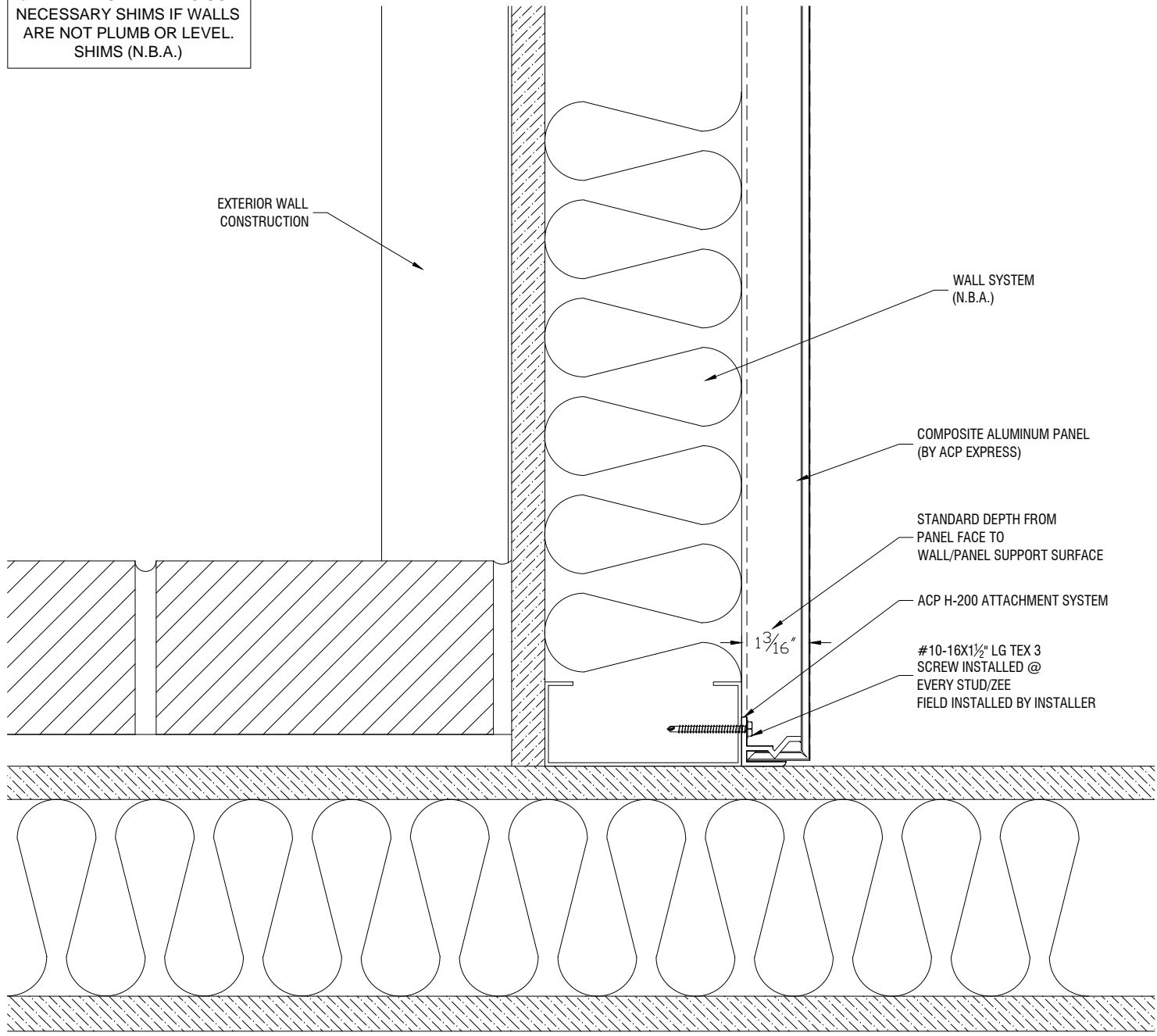
### 5-Window Jamb Detail



## ACP-H200 REMOVABLE PANEL INTERIOR SYSTEM

Confidential Document: Property of ACP EXPRESS METAL. Any transfer of this document without the express written permission of ACP EXPRESS METAL is unlawful. This document include: Originals, duplicates, and electronic versions. All are exclusive. Information contained herein or related hereto is intended only for evaluation by technically skilled persons, with any use thereof to be at their independent discretion and risk. Such information is believed to be reliable, but ACP EXPRESS Metal shall have no responsibility or liability for results obtained or damages resulting from such use. ACP EXPRESS Metal grants no license under, and shall have no responsibility or liability for infringement of, any patent proprietary right. Sales of ACP EXPRESS Metal products shall be independent and subject exclusively to warranties set forth in ACP EXPRESS Metal acknowledgment. The foregoing may be waived or modified only in writing by an ACP EXPRESS Metal officer.

CONTRACTOR NOTE:  
 ALL WALLS ARE TO BE PLUMB  
 & LEVEL. INSTALLER TO USE  
 NECESSARY SHIMS IF WALLS  
 ARE NOT PLUMB OR LEVEL.  
 SHIMS (N.B.A.)



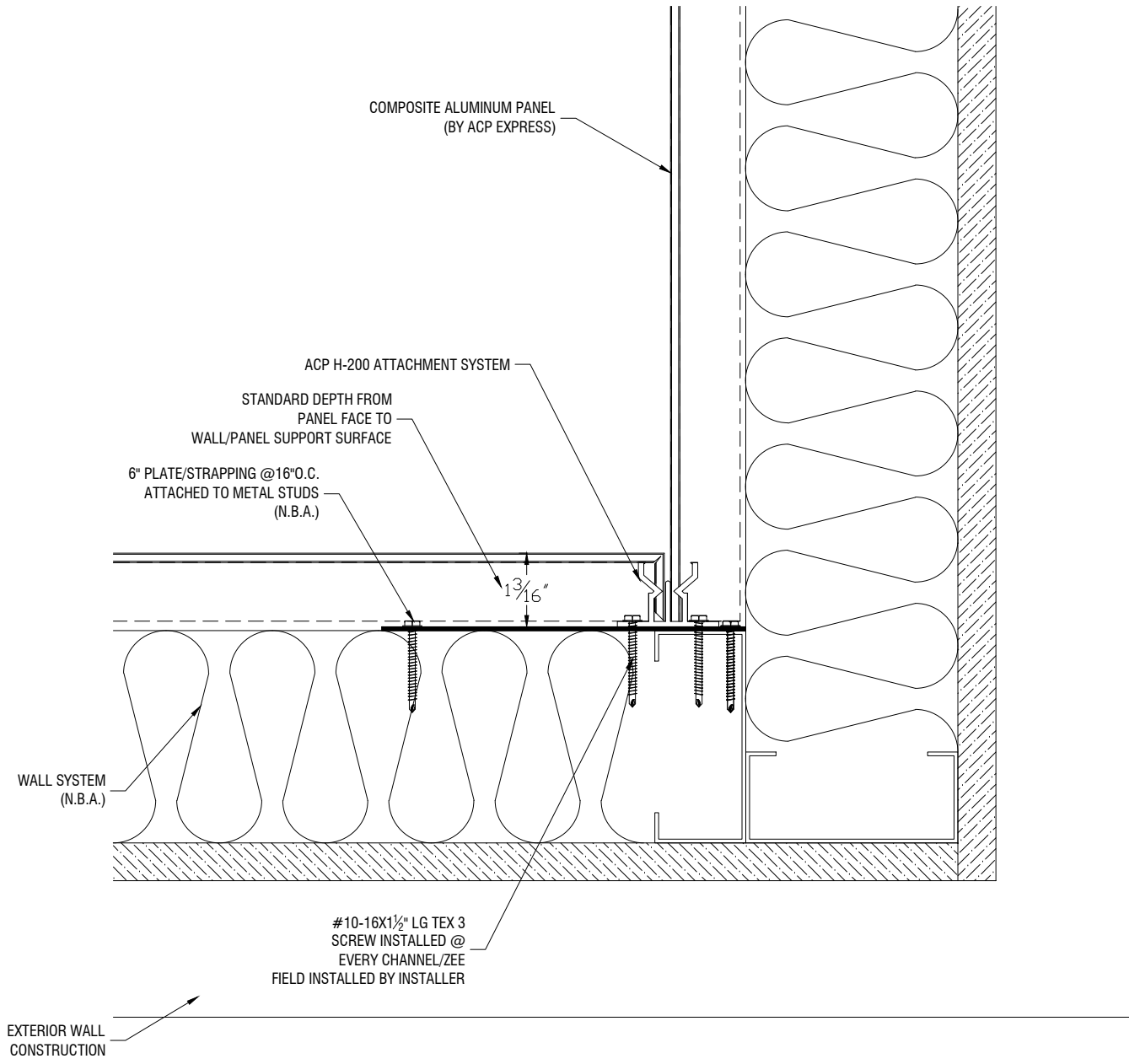
***6-Plan Detail @ Brick Wall***



**ACP-H200 REMOVABLE PANEL  
 INTERIOR SYSTEM**

Confidential Document: Property of ACP EXPRESS METAL. Any transfer of this document without the express written permission of ACP EXPRESS METAL is unlawful. This document include: Originals, duplicates, and electronic versions. All are exclusive. Information contained herein or related hereto is intended only for evaluation by technically skilled persons, with any use thereof to be at their independent discretion and risk. Such information is believed to be reliable, but ACP EXPRESS Metal shall have no responsibility or liability for results obtained or damages resulting from such use. ACP EXPRESS Metal grants no license under, and shall have no responsibility or liability for infringement of, any patent proprietary right. Sales of ACP EXPRESS Metal products shall be independent and subject exclusively to warranties set forth in ACP EXPRESS Metal acknowledgment. The foregoing may be waived or modified only in writing by an ACP EXPRESS Metal officer.

CONTRACTOR NOTE:  
 ALL WALLS ARE TO BE PLUMB  
 & LEVEL. INSTALLER TO USE  
 NECESSARY SHIMS IF WALLS  
 ARE NOT PLUMB OR LEVEL.  
 SHIMS (N.B.A.)



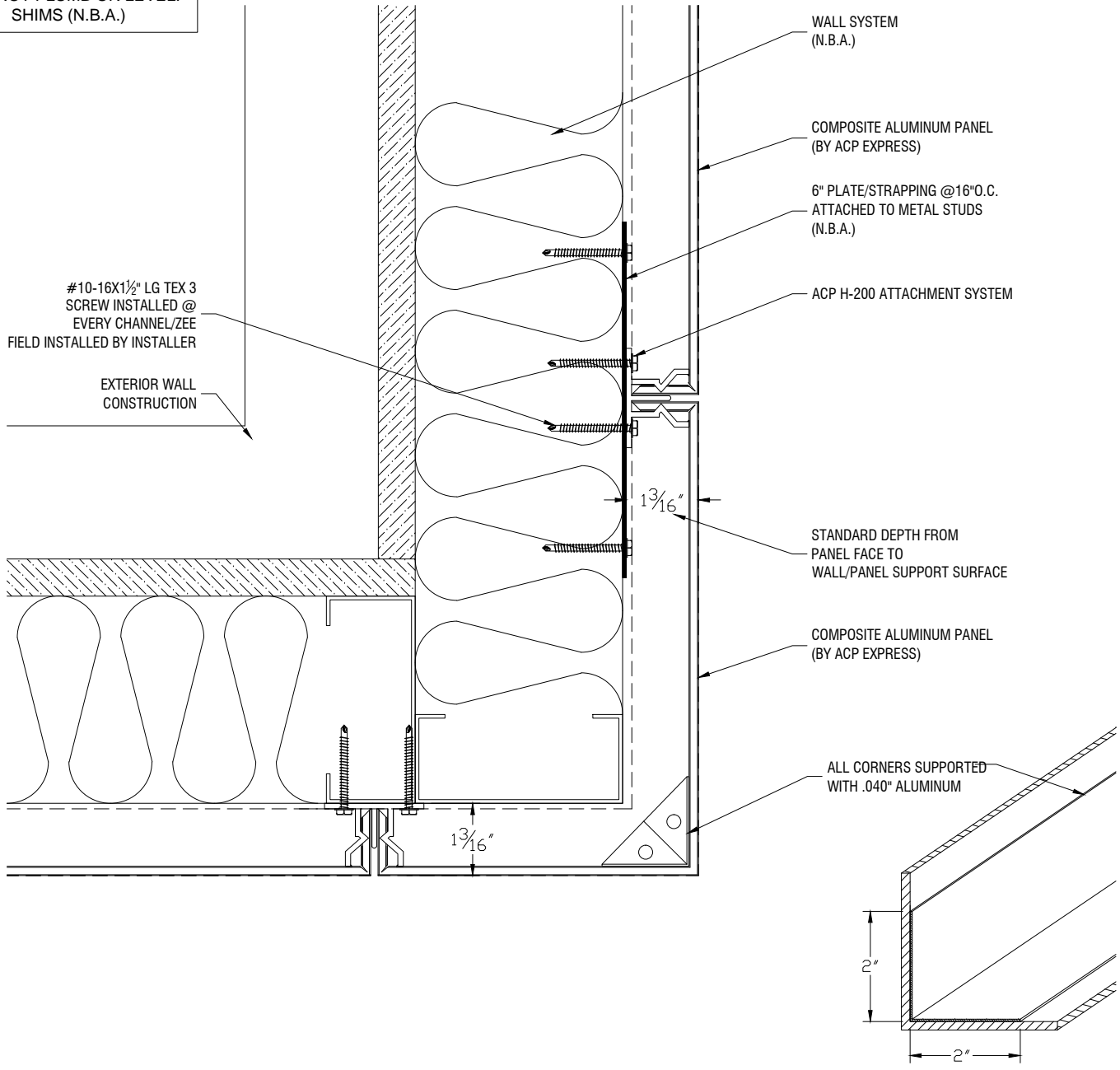
***7-Inside Corner Detail***



**ACP-H200 REMOVABLE PANEL  
 INTERIOR SYSTEM**

Confidential Document: Property of ACP EXPRESS METAL. Any transfer of this document without the express written permission of ACP EXPRESS METAL is unlawful. This document include: Originals, duplicates, and electronic versions. All are exclusive. Information contained herein or related hereto is intended only for evaluation by technically skilled persons, with any use thereof to be at their independent discretion and risk. Such information is believed to be reliable, but ACP EXPRESS Metal shall have no responsibility or liability for results obtained or damages resulting from such use. ACP EXPRESS Metal grants no license under, and shall have no responsibility or liability for infringement of, any patent proprietary right. Sales of ACP EXPRESS Metal products shall be independent and subject exclusively to warranties set forth in ACP EXPRESS Metal acknowledgment. The foregoing may be waived or modified only in writing by an ACP EXPRESS Metal officer.

**CONTRACTOR NOTE:**  
 ALL WALLS ARE TO BE PLUMB  
 & LEVEL. INSTALLER TO USE  
 NECESSARY SHIMS IF WALLS  
 ARE NOT PLUMB OR LEVEL.  
 SHIMS (N.B.A.)



### ***8-Outside Corner Detail***

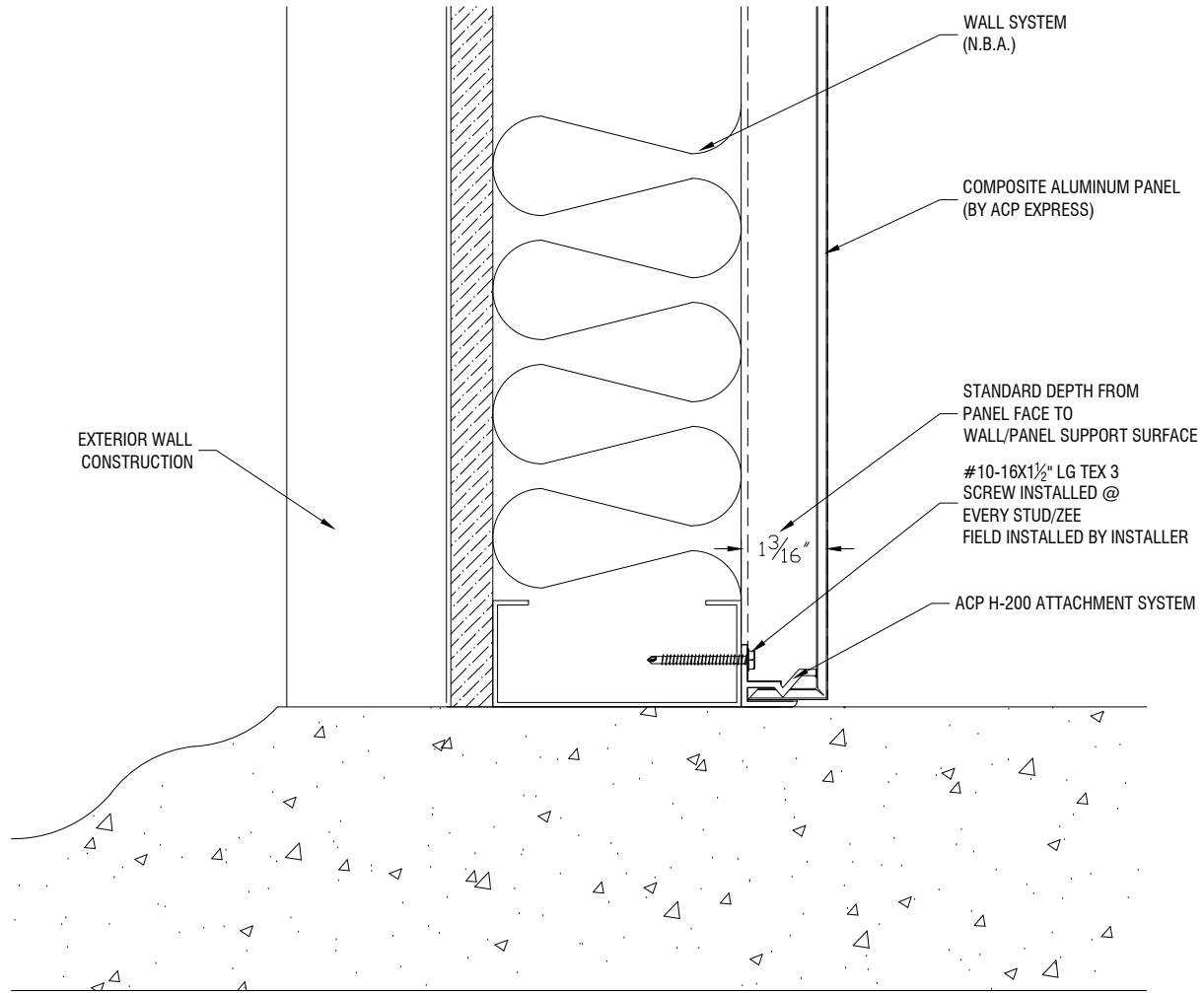


### **ACP-H200 REMOVABLE PANEL INTERIOR SYSTEM**

Confidential Document: Property of ACP EXPRESS METAL. Any transfer of this document without the express written permission of ACP EXPRESS METAL is unlawful. This document include: Originals, duplicates, and electronic versions. All are exclusive. Information contained herein or related hereto is intended only for evaluation by technically skilled persons, with any use thereof to be at their independent discretion and risk. Such information is believed to be reliable, but ACP EXPRESS Metal shall have no responsibility or liability for results obtained or damages resulting from such use. ACP EXPRESS Metal grants no license under, and shall have no responsibility or liability for infringement of, any patent proprietary right. Sales of ACP EXPRESS Metal products shall be independent and subject exclusively to warranties set forth in ACP EXPRESS Metal acknowledgment. The foregoing may be waived or modified only in writing by an ACP EXPRESS Metal officer.



CONTRACTOR NOTE:  
 ALL WALLS ARE TO BE PLUMB  
 & LEVEL. INSTALLER TO USE  
 NECESSARY SHIMS IF WALLS  
 ARE NOT PLUMB OR LEVEL.  
 SHIMS (N.B.A.)



**9-Base Detail**



**ACP-H200 REMOVABLE PANEL  
 INTERIOR SYSTEM**

Confidential Document: Property of ACP EXPRESS METAL. Any transfer of this document without the express written permission of ACP EXPRESS METAL is unlawful. This document include: Originals, duplicates, and electronic versions. All are exclusive. Information contained herein or related hereto is intended only for evaluation by technically skilled persons, with any use thereof to be at their independent discretion and risk. Such information is believed to be reliable, but ACP EXPRESS Metal shall have no responsibility or liability for results obtained or damages resulting from such use. ACP EXPRESS Metal grants no license under, and shall have no responsibility or liability for infringement of, any patent proprietary right. Sales of ACP EXPRESS Metal products shall be independent and subject exclusively to warranties set forth in ACP EXPRESS Metal acknowledgment. The foregoing may be waived or modified only in writing by an ACP EXPRESS Metal officer.