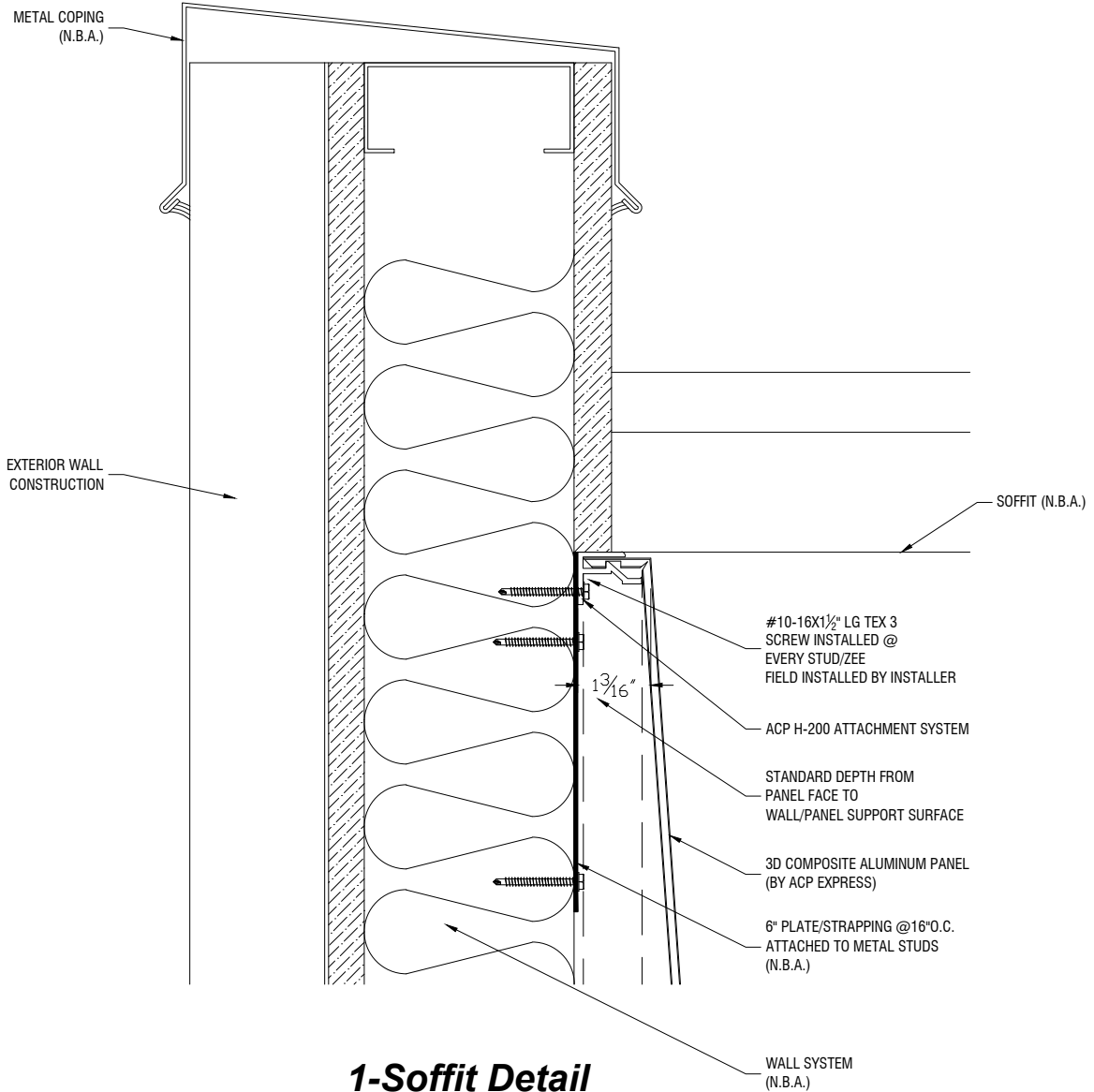


Confidential Document: Property of ACP EXPRESS METAL. Any transfer of this document without the express written permission of ACP EXPRESS METAL is unlawful. This document include: Originals, duplicates, and electronic versions. All are exclusive.
 Information contained herein or related hereto is intended only for evaluation by technically skilled persons, with any use thereof to be at their independent discretion and risk. Such information is believed to be reliable, but ACP EXPRESS Metal shall have no responsibility or liability for results obtained or damages resulting from such use. ACP EXPRESS Metal grants no license under, and shall have no responsibility or liability for infringement of, any patent proprietary right. Sales of ACP EXPRESS Metal products shall be independent and subject exclusively to warranties set forth in ACP EXPRESS Metal acknowledgment. The foregoing may be waived or modified only in writing by an ACP EXPRESS Metal officer.

1036 Anderson Avenue, Fort Lee, NJ 07024
 Tel. 1-844-227-3977, Tel. 1-844-ACPEXPR, www.acpexpress.com

CONTRACTOR NOTE:
 ALL WALLS ARE TO BE PLUMB
 & LEVEL. INSTALLER TO USE
 NECESSARY SHIMS IF WALLS
 ARE NOT PLUMB OR LEVEL.
 SHIMS (N.B.A.)

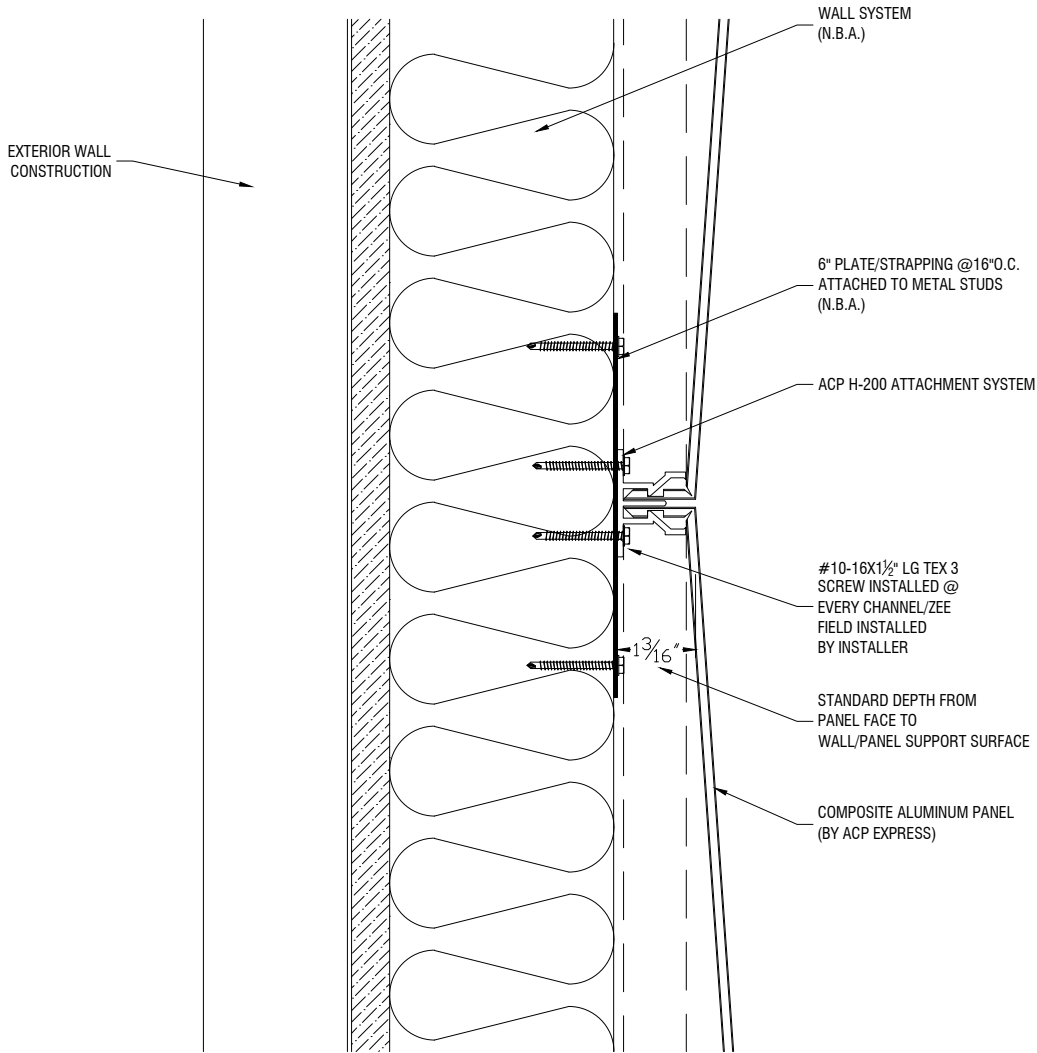


ACP H-200-3D INTERIOR SYSTEM

Confidential Document: Property of ACP EXPRESS METAL. Any transfer of this document without the express written permission of ACP EXPRESS METAL is unlawful. This document include: Originals, duplicates, and electronic versions. All are exclusive. Information contained herein or related hereto is intended only for evaluation by technically skilled persons, with any use thereof to be at their independent discretion and risk. Such information is believed to be reliable, but ACP EXPRESS Metal shall have no responsibility or liability for results obtained or damages resulting from such use. ACP EXPRESS Metal grants no license under, and shall have no responsibility or liability for infringement of, any patent proprietary right. Sales of ACP EXPRESS Metal products shall be independent and subject exclusively to warranties set forth in ACP EXPRESS Metal acknowledgment. The foregoing may be waived or modified only in writing by an ACP EXPRESS Metal officer.

1036 Anderson Avenue, Fort Lee, NJ 07024, Tel. 1-844-227-3977, Tel. 1-844-ACPEXPR, www.acpexpress.com

CONTRACTOR NOTE:
 ALL WALLS ARE TO BE PLUMB
 & LEVEL. INSTALLER TO USE
 NECESSARY SHIMS IF WALLS
 ARE NOT PLUMB OR LEVEL.
 SHIMS (N.B.A.)



2-Typical Joint Detail

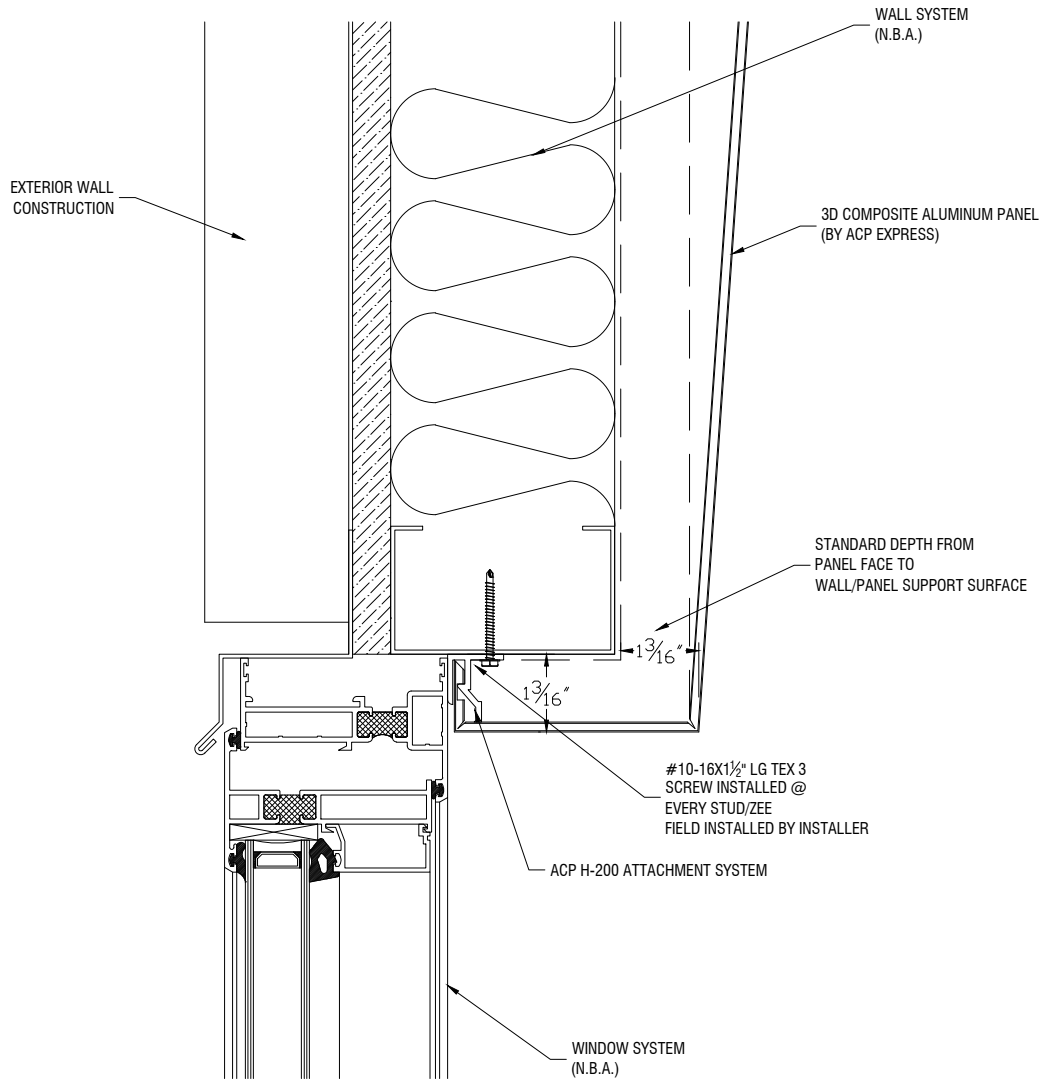


ACP H-200-3D INTERIOR SYSTEM

Confidential Document: Property of ACP EXPRESS METAL. Any transfer of this document without the express written permission of ACP EXPRESS METAL is unlawful. This document include: Originals, duplicates, and electronic versions. All are exclusive. Information contained herein or related hereto is intended only for evaluation by technically skilled persons, with any use thereof to be at their independent discretion and risk. Such information is believed to be reliable, but ACP EXPRESS Metal shall have no responsibility or liability for results obtained or damages resulting from such use. ACP EXPRESS Metal grants no license under, and shall have no responsibility or liability for infringement of, any patent proprietary right. Sales of ACP EXPRESS Metal products shall be independent and subject exclusively to warranties set forth in ACP EXPRESS Metal acknowledgment. The foregoing may be waived or modified only in writing by an ACP EXPRESS Metal officer.

1036 Anderson Avenue, Fort Lee, NJ 07024, Tel. 1-844-227-3977, Tel. 1-844-ACPEXPR, www.acpexpress.com

CONTRACTOR NOTE:
 ALL WALLS ARE TO BE PLUMB
 & LEVEL. INSTALLER TO USE
 NECESSARY SHIMS IF WALLS
 ARE NOT PLUMB OR LEVEL.
 SHIMS (N.B.A.)



3-Window Head Detail

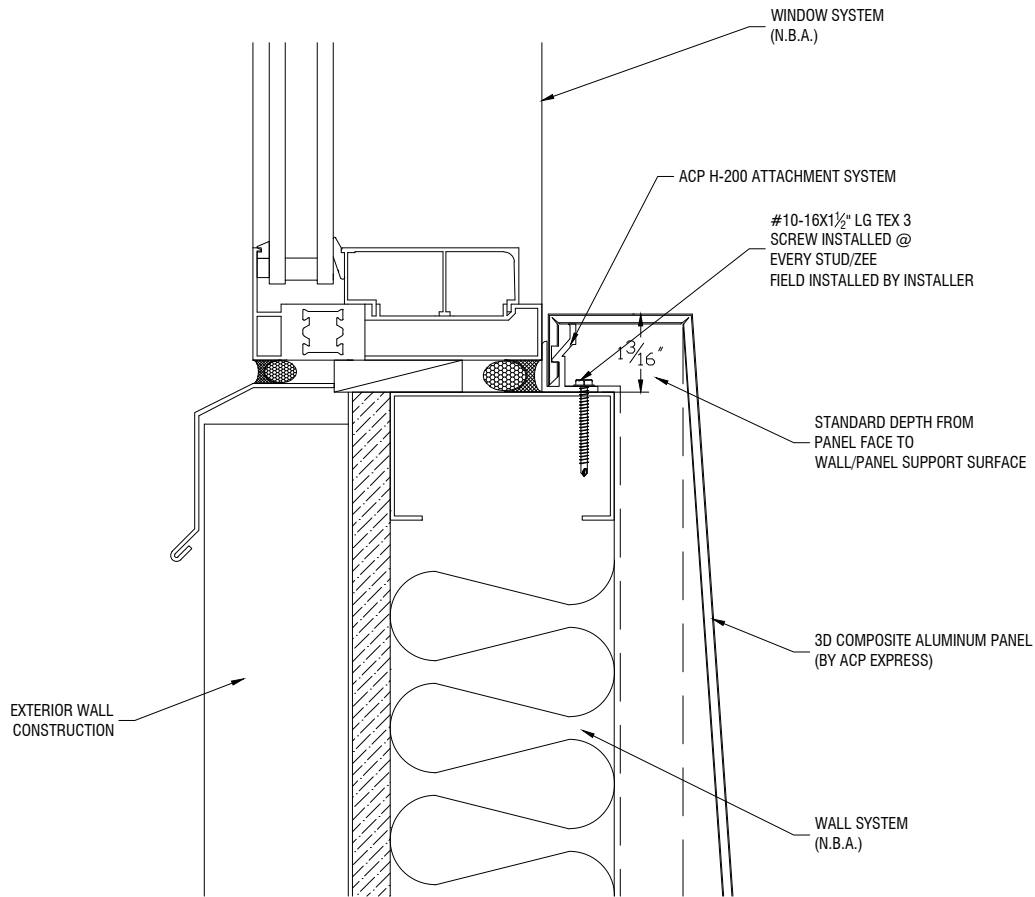


ACP H-200-3D INTERIOR SYSTEM

Confidential Document: Property of ACP EXPRESS METAL. Any transfer of this document without the express written permission of ACP EXPRESS METAL is unlawful. This document include: Originals, duplicates, and electronic versions. All are exclusive. Information contained herein or related hereto is intended only for evaluation by technically skilled persons, with any use thereof to be at their independent discretion and risk. Such information is believed to be reliable, but ACP EXPRESS Metal shall have no responsibility or liability for results obtained or damages resulting from such use. ACP EXPRESS Metal grants no license under, and shall have no responsibility or liability for infringement of, any patent proprietary right. Sales of ACP EXPRESS Metal products shall be independent and subject exclusively to warranties set forth in ACP EXPRESS Metal acknowledgment. The foregoing may be waived or modified only in writing by an ACP EXPRESS Metal officer.

1036 Anderson Avenue, Fort Lee, NJ 07024, Tel. 1-844-227-3977, Tel. 1-844-ACPEXPR, www.acpexpress.com

CONTRACTOR NOTE:
 ALL WALLS ARE TO BE PLUMB
 & LEVEL. INSTALLER TO USE
 NECESSARY SHIMS IF WALLS
 ARE NOT PLUMB OR LEVEL.
 SHIMS (N.B.A.)



4-Window Sill Detail

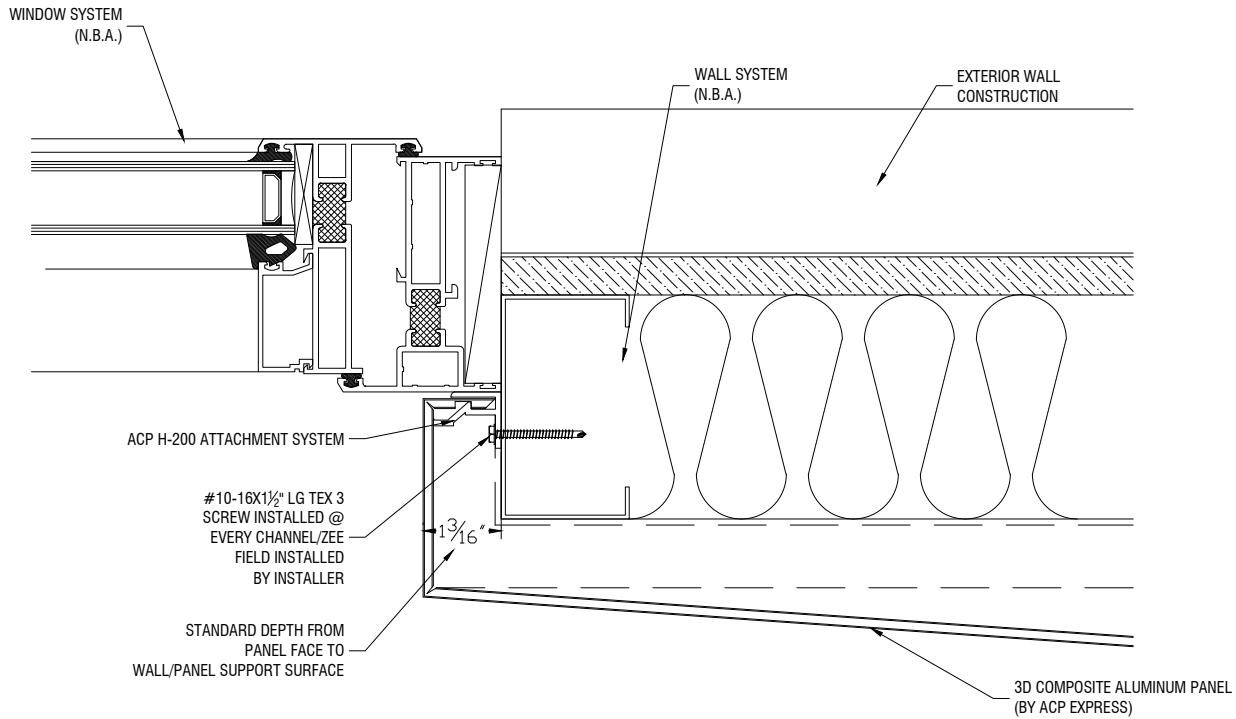


ACP H-200-3D INTERIOR SYSTEM

Confidential Document: Property of ACP EXPRESS METAL. Any transfer of this document without the express written permission of ACP EXPRESS METAL is unlawful. This document includes: Originals, duplicates, and electronic versions. All are exclusive. Information contained herein or related hereto is intended only for evaluation by technically skilled persons, with any use thereof to be at their independent discretion and risk. Such information is believed to be reliable, but ACP EXPRESS Metal shall have no responsibility or liability for results obtained or damages resulting from such use. ACP EXPRESS Metal grants no license under, and shall have no responsibility or liability for infringement of, any patent proprietary right. Sales of ACP EXPRESS Metal products shall be independent and subject exclusively to warranties set forth in ACP EXPRESS Metal acknowledgment. The foregoing may be waived or modified only in writing by an ACP EXPRESS Metal officer.

1036 Anderson Avenue, Fort Lee, NJ 07024, Tel. 1-844-227-3977, Tel. 1-844-ACPEXPR, www.acpexpress.com

CONTRACTOR NOTE:
 ALL WALLS ARE TO BE PLUMB
 & LEVEL. INSTALLER TO USE
 NECESSARY SHIMS IF WALLS
 ARE NOT PLUMB OR LEVEL.
 SHIMS (N.B.A.)



5-Window Jamb Detail

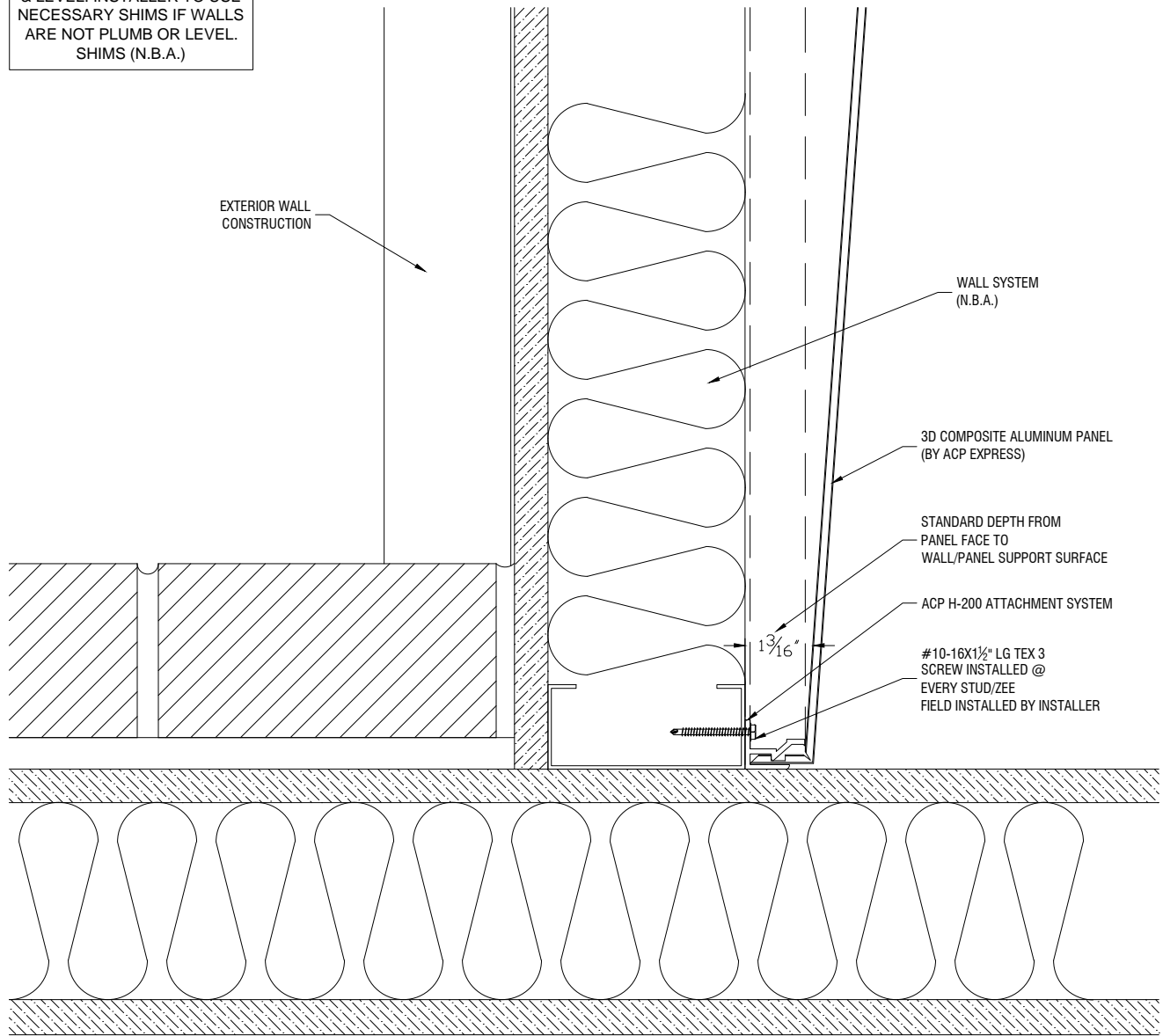


ACP H-200-3D INTERIOR SYSTEM

Confidential Document: Property of ACP EXPRESS METAL. Any transfer of this document without the express written permission of ACP EXPRESS METAL is unlawful. This document include: Originals, duplicates, and electronic versions. All are exclusive. Information contained herein or related hereto is intended only for evaluation by technically skilled persons, with any use thereof to be at their independent discretion and risk. Such information is believed to be reliable, but ACP EXPRESS Metal shall have no responsibility or liability for results obtained or damages resulting from such use. ACP EXPRESS Metal grants no license under, and shall have no responsibility or liability for infringement of, any patent proprietary right. Sales of ACP EXPRESS Metal products shall be independent and subject exclusively to warranties set forth in ACP EXPRESS Metal acknowledgment. The foregoing may be waived or modified only in writing by an ACP EXPRESS Metal officer.

1036 Anderson Avenue, Fort Lee, NJ 07024, Tel. 1-844-227-3977, Tel. 1-844-ACPEXPR, www.acpexpress.com

CONTRACTOR NOTE:
 ALL WALLS ARE TO BE PLUMB
 & LEVEL. INSTALLER TO USE
 NECESSARY SHIMS IF WALLS
 ARE NOT PLUMB OR LEVEL.
 SHIMS (N.B.A.)



6-Plan Detail @ Brick Wall

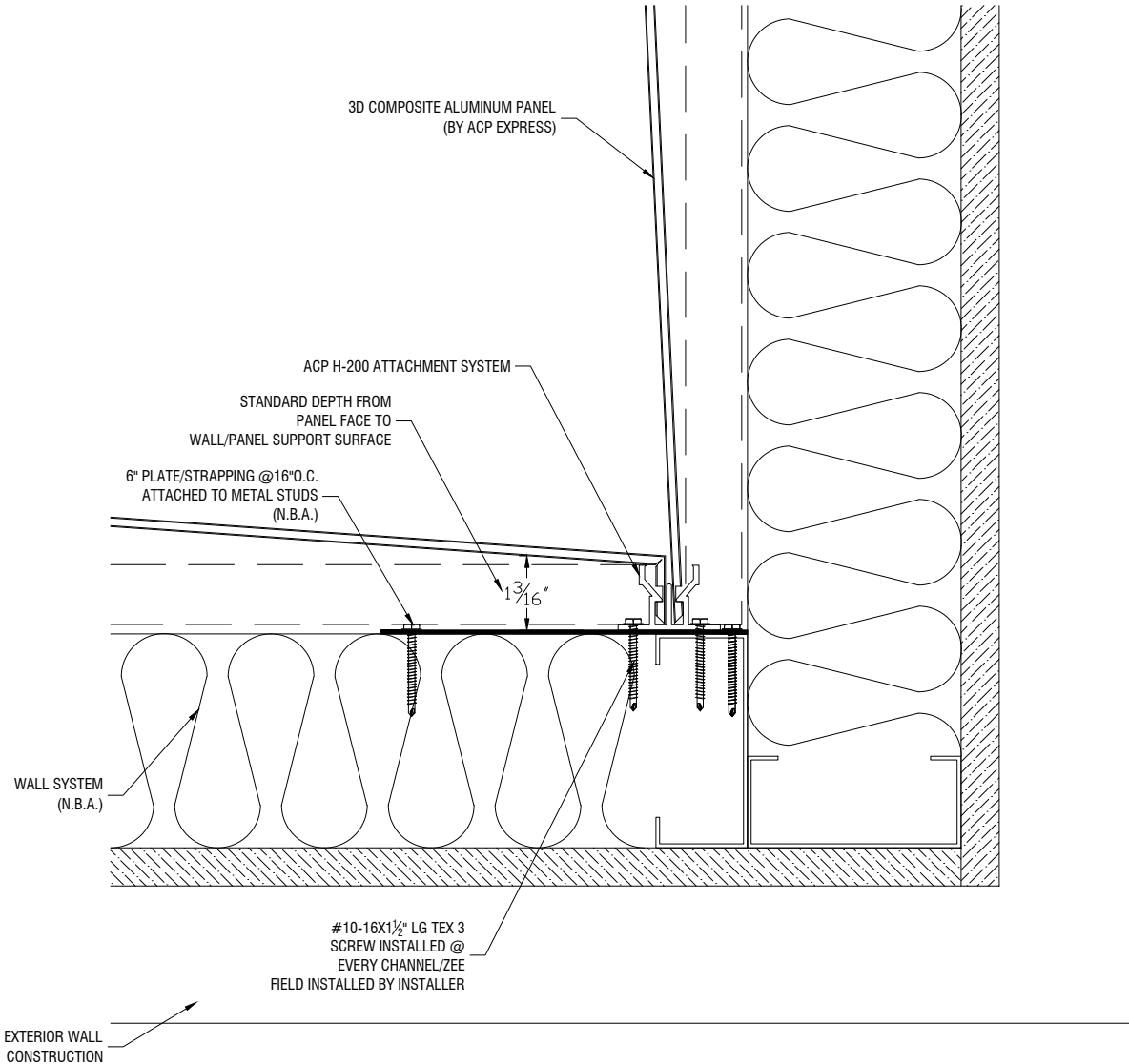


ACP H-200-3D INTERIOR SYSTEM

Confidential Document: Property of ACP EXPRESS METAL. Any transfer of this document without the express written permission of ACP EXPRESS METAL is unlawful. This document include: Originals, duplicates, and electronic versions. All are exclusive. Information contained herein or related hereto is intended only for evaluation by technically skilled persons, with any use thereof to be at their independent discretion and risk. Such information is believed to be reliable, but ACP EXPRESS Metal shall have no responsibility or liability for results obtained or damages resulting from such use. ACP EXPRESS Metal grants no license under, and shall have no responsibility or liability for infringement of, any patent proprietary right. Sales of ACP EXPRESS Metal products shall be independent and subject exclusively to warranties set forth in ACP EXPRESS Metal acknowledgment. The foregoing may be waived or modified only in writing by an ACP EXPRESS Metal officer.

1036 Anderson Avenue, Fort Lee, NJ 07024, Tel. 1-844-227-3977, Tel. 1-844-ACPEXPR, www.acpexpress.com

CONTRACTOR NOTE:
 ALL WALLS ARE TO BE PLUMB
 & LEVEL. INSTALLER TO USE
 NECESSARY SHIMS IF WALLS
 ARE NOT PLUMB OR LEVEL.
 SHIMS (N.B.A.)



7-Inside Corner Detail

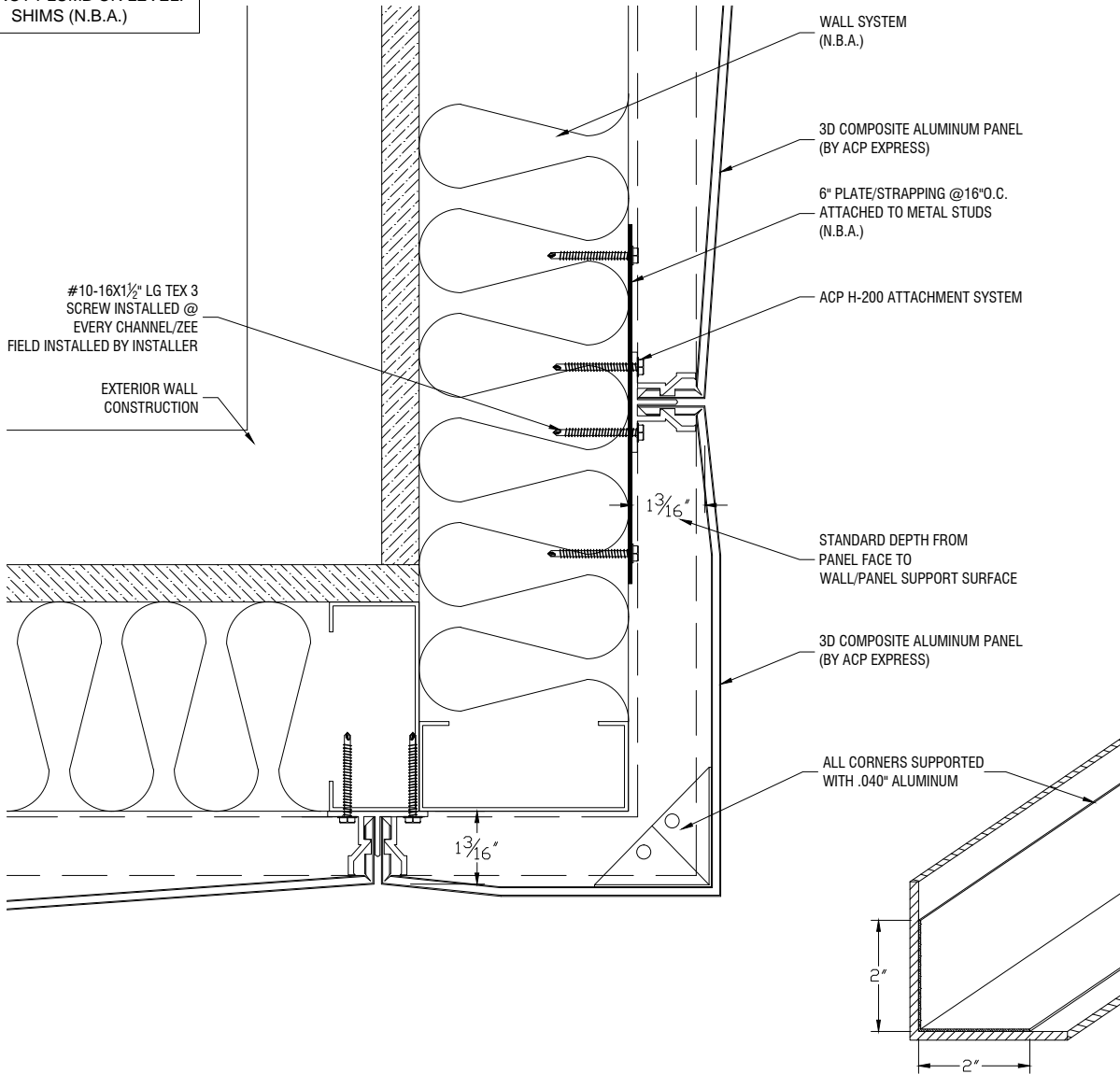


ACP H-200-3D INTERIOR SYSTEM

Confidential Document: Property of ACP EXPRESS METAL. Any transfer of this document without the express written permission of ACP EXPRESS METAL is unlawful. This document include: Originals, duplicates, and electronic versions. All are exclusive. Information contained herein or related hereto is intended only for evaluation by technically skilled persons, with any use thereof to be at their independent discretion and risk. Such information is believed to be reliable, but ACP EXPRESS Metal shall have no responsibility or liability for results obtained or damages resulting from such use. ACP EXPRESS Metal grants no license under, and shall have no responsibility or liability for infringement of, any patent proprietary right. Sales of ACP EXPRESS Metal products shall be independent and subject exclusively to warranties set forth in ACP EXPRESS Metal acknowledgment. The foregoing may be waived or modified only in writing by an ACP EXPRESS Metal officer.

1036 Anderson Avenue, Fort Lee, NJ 07024, Tel. 1-844-227-3977, Tel. 1-844-ACPEXPR, www.acpexpress.com

CONTRACTOR NOTE:
 ALL WALLS ARE TO BE PLUMB
 & LEVEL. INSTALLER TO USE
 NECESSARY SHIMS IF WALLS
 ARE NOT PLUMB OR LEVEL.
 SHIMS (N.B.A.)



8-Outside Corner Detail

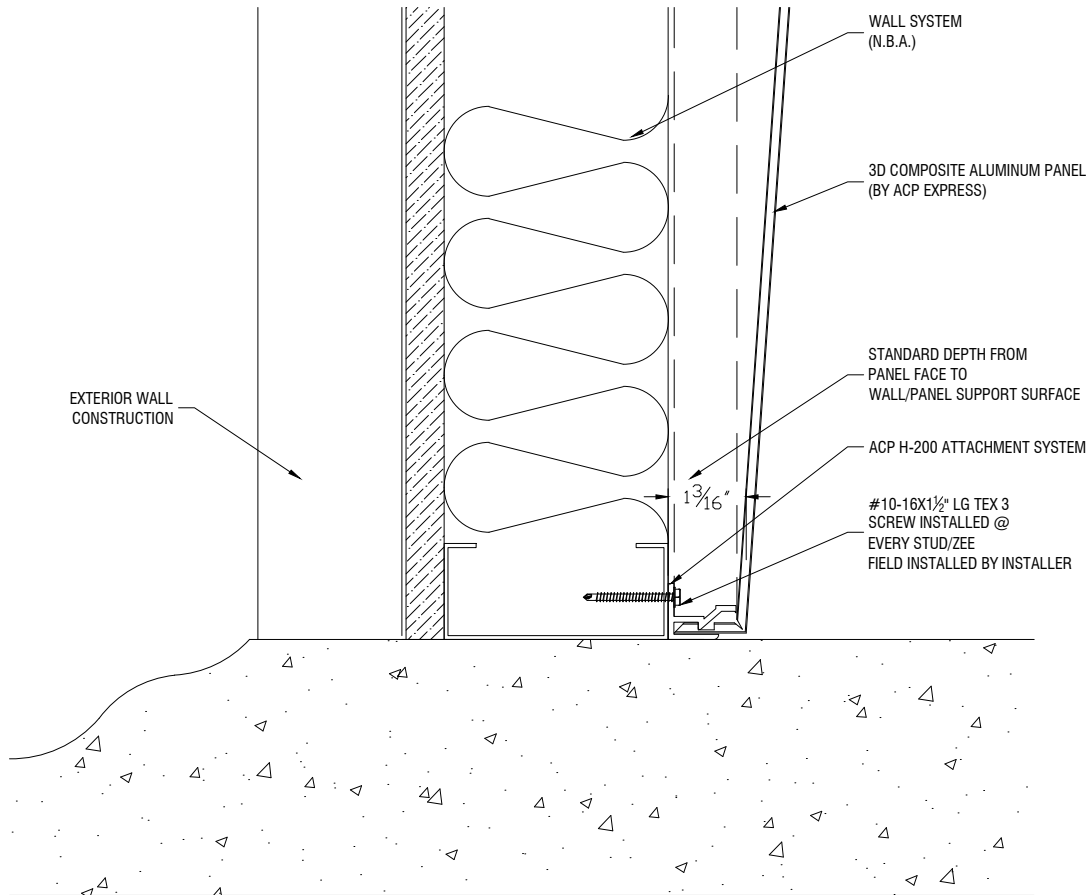


ACP H-200-3D INTERIOR SYSTEM

Confidential Document: Property of ACP EXPRESS METAL. Any transfer of this document without the express written permission of ACP EXPRESS METAL is unlawful. This document include: Originals, duplicates, and electronic versions. All are exclusive. Information contained herein or related hereto is intended only for evaluation by technically skilled persons, with any use thereof to be at their independent discretion and risk. Such information is believed to be reliable, but ACP EXPRESS Metal shall have no responsibility or liability for results obtained or damages resulting from such use. ACP EXPRESS Metal grants no license under, and shall have no responsibility or liability for infringement of, any patent proprietary right. Sales of ACP EXPRESS Metal products shall be independent and subject exclusively to warranties set forth in ACP EXPRESS Metal acknowledgment. The foregoing may be waived or modified only in writing by an ACP EXPRESS Metal officer.

1036 Anderson Avenue, Fort Lee, NJ 07024, Tel. 1-844-227-3977, Tel. 1-844-ACPEXPR, www.acpexpress.com

CONTRACTOR NOTE:
 ALL WALLS ARE TO BE PLUMB
 & LEVEL. INSTALLER TO USE
 NECESSARY SHIMS IF WALLS
 ARE NOT PLUMB OR LEVEL.
 SHIMS (N.B.A.)



9-Base Detail



ACP H-200-3D INTERIOR SYSTEM

Confidential Document: Property of ACP EXPRESS METAL. Any transfer of this document without the express written permission of ACP EXPRESS METAL is unlawful. This document include: Originals, duplicates, and electronic versions. All are exclusive. Information contained herein or related hereto is intended only for evaluation by technically skilled persons, with any use thereof to be at their independent discretion and risk. Such information is believed to be reliable, but ACP EXPRESS Metal shall have no responsibility or liability for results obtained or damages resulting from such use. ACP EXPRESS Metal grants no license under, and shall have no responsibility or liability for infringement of, any patent proprietary right. Sales of ACP EXPRESS Metal products shall be independent and subject exclusively to warranties set forth in ACP EXPRESS Metal acknowledgment. The foregoing may be waived or modified only in writing by an ACP EXPRESS Metal officer.

1036 Anderson Avenue, Fort Lee, NJ 07024, Tel. 1-844-227-3977, Tel. 1-844-ACPEXPR, www.acpexpress.com